

White Single Pole (PH-633)



Ivory Shelf Hanger (PH-456)



Adjustable Double Shelf (PH-349)



Curtain Shelf Hanger (PH-532)



Silver Chrome Double Hanger

Model No. PH-320



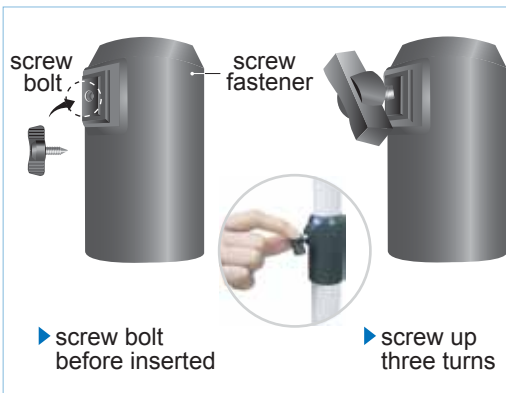
Country of Origin: Korea, The Republic of.
Imported by:
www.

Safety Instructions

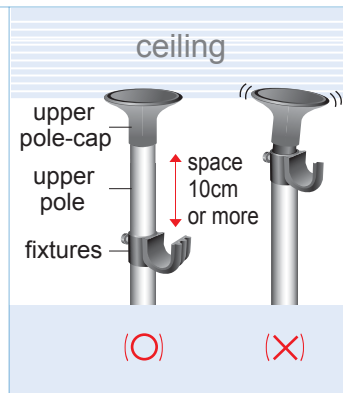
⚠ Please keep the following instructions to prevent any possible dangers or losses while installing or using the product.

1. This hanger system is designed to stand and hold out with its poles pressed against the floor and the ceiling. Determine the place to install it where both the floor and the ceiling are robust enough to withstand the load and pressure from the poles.
2. A thicker pole or bar can contain a thinner one within and, if held open end down, let the thinner one slip out and fall down to hurt the feet or damage the floor underneath. So hold it properly when carrying or handling.
3. Before starting assembling the poles, screw up the bolt on the screw fastener about three turns. Screwing too much can damage the poles.
4. Set the fixture components - such as bar brackets or shelf brackets – more than 10 cm away down the upper pole-cap. See the picture below right.

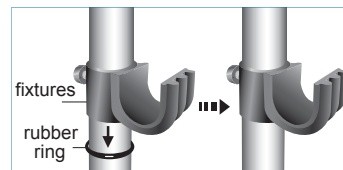
Screw fastener



Setting the fixtures properly



5. The rubber ring functions as a stopper to the fixture components mounted on the pole and prevents them from sliding down along the pole. Place a rubber ring below every fixture on the pole.



WARRANTY

Warranty period of this product is 1 year from the date of purchasing. Write down the date and place of purchasing and present it to the maintenance service provider so that you may get free maintenance service during the period.

Customer		Date of Purchasing	
Place of Purchasing	Seller's Name		
	Phone Number		
	Address		

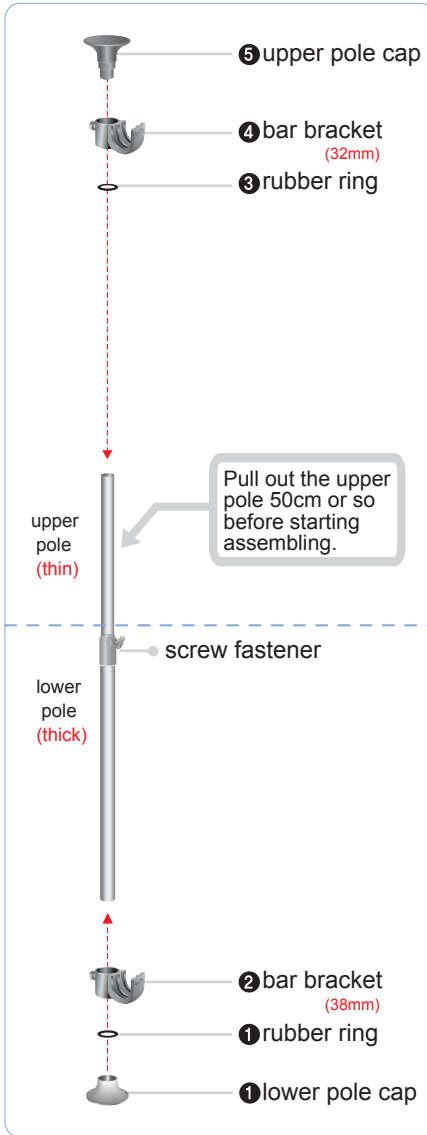
Please note that, with the breakdown or malfunction due to the following causes, you will have to pay for the maintenance expenses even during the warranty period:

1. failure to comply with the safety instructions of this manual.
2. careless handling or misuses by the users
3. natural calamities such as fire, flood, earthquake, etc.

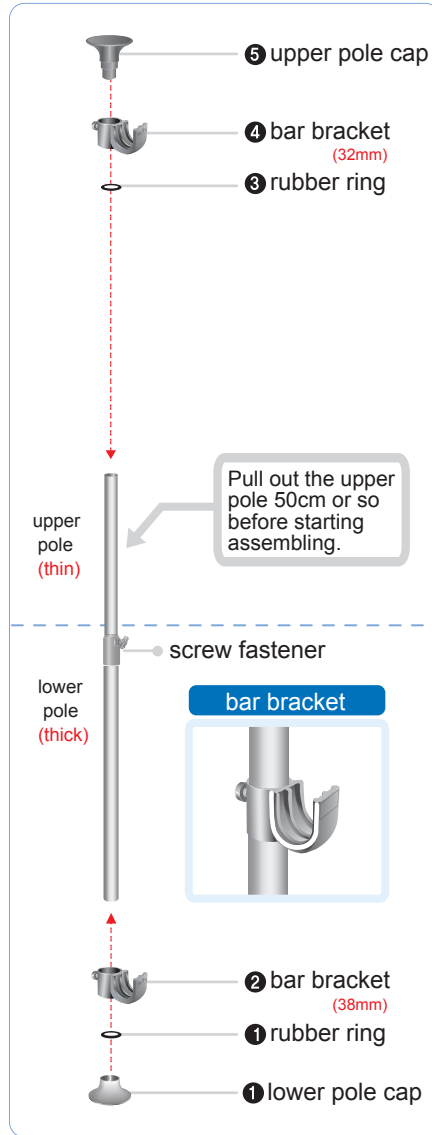
Assembling the Poles

▼ Assemble the parts of each pole in the following numerical order.

pole 1



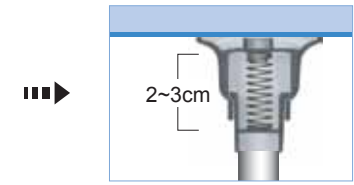
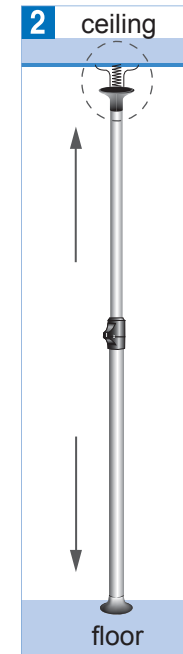
pole 2



3

Putting up the Poles

Putting up the Poles



※ Upper pole cap has a spring inside that can be pressed up by 2~3cm.

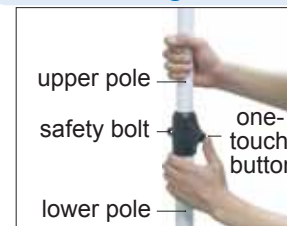
3 Safety Bolt



※ Screw it up lightly with fingers.

1. Hold the lower pole with one hand and the upper pole with the other.
2. Push up the upper pole toward the ceiling to the extent it presses the spring inside the upper pole cap hard enough.
3. Screw up the safety bolt lightly with fingers.

Disassembling the Poles

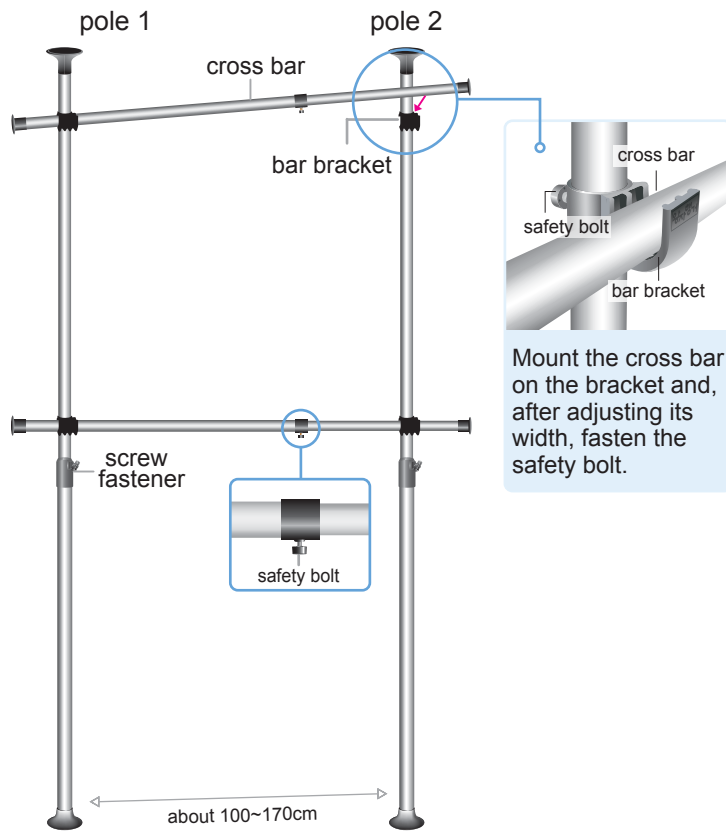


Let loose the safety bolt and, holding the upper pole with one hand, press the one-touch button with the other so that the upper pole may slide down.

4

Installing the Poles and Shelves

Installing the Poles and Shelves



Mount the cross bar on the bracket and, after adjusting its width, fasten the safety bolt.

- (1) Put up the two poles apart at an appropriate distance.
- (2) Position each pair of bar brackets on a level. Mount a cross bar on the bracket as shown in the enlarged picture above.
- (3) Adjust the height of the brackets by moving the rubber rings and fasten lightly the safety bolts in the back.

Package Contents

Package Contents

- ① upper pole cap (2)



(safety bolt)
Placed on the back of the bar brackets.
Screw it up lightly with fingers when you have set up the position of the brackets.

- ② upper/lower pole set (2 sets)



upper pole (32mm)

lower pole (38mm)

- ④ cross bar (1 set)
32mm piece 28mm piece

- ⑤ bar bracket (32mm x 2)

- ⑥ rubber ring (2)

screw fastener

- ⑦ screw bolt (2)
- for screw fasteners

- ⑧ cross bar (1 set)
32mm piece 28mm piece

- ⑨ bar bracket (38mm x 2)

- ⑩ rubber ring (2)

- ③ lower pole cap (2)



free gift
reach stick